

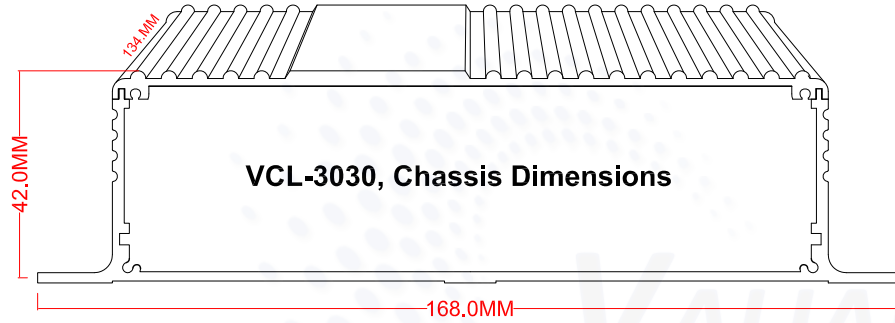
The Drawing and any information or descriptive matter set out hereon are the confidential property of Valiant Communications and must not be disclosed, loaned, copied, used for manufacturing, tendering or any other purpose without their written permission.

REVISION	
DATE	
NAME	
CHECK	
CHECK	
I	
J	
DATE	
NAME	
CHECK	
CHECK	
H	
G	
F	
E	
D	
REVISION	
DATE	
CHECK	
CHECK	
B	
APPR.	

1	2	3	4	5	6	7	8	9	10	11	12	13	14	15
---	---	---	---	---	---	---	---	---	----	----	----	----	----	----

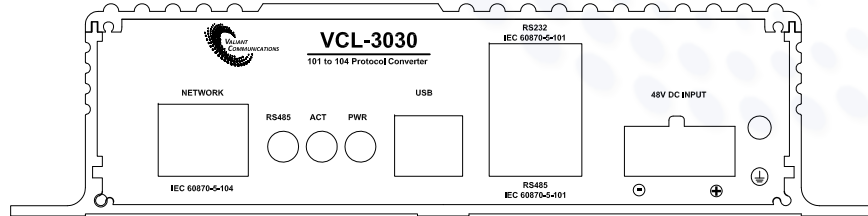
## Mechanical Drawing of VCL-3030,101 to 104 Protocol Converter

<b>VCL-3030</b>	
<b>Mechanical Dimensions</b>	
Width	168.0 MM
Height	42.0 MM
Depth	134.00 MM
Weight	.5kg

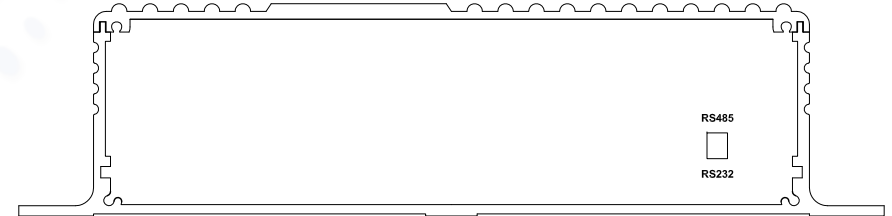


VCL-3030, Chassis Dimensions

Front View



Rear View



**Title:** Mechanical Drawing of VCL-3030,101 to 104 Protocol Converter



**Valiant**  
Communications

**Drawing No:**  
EMD-3030/CONV/01

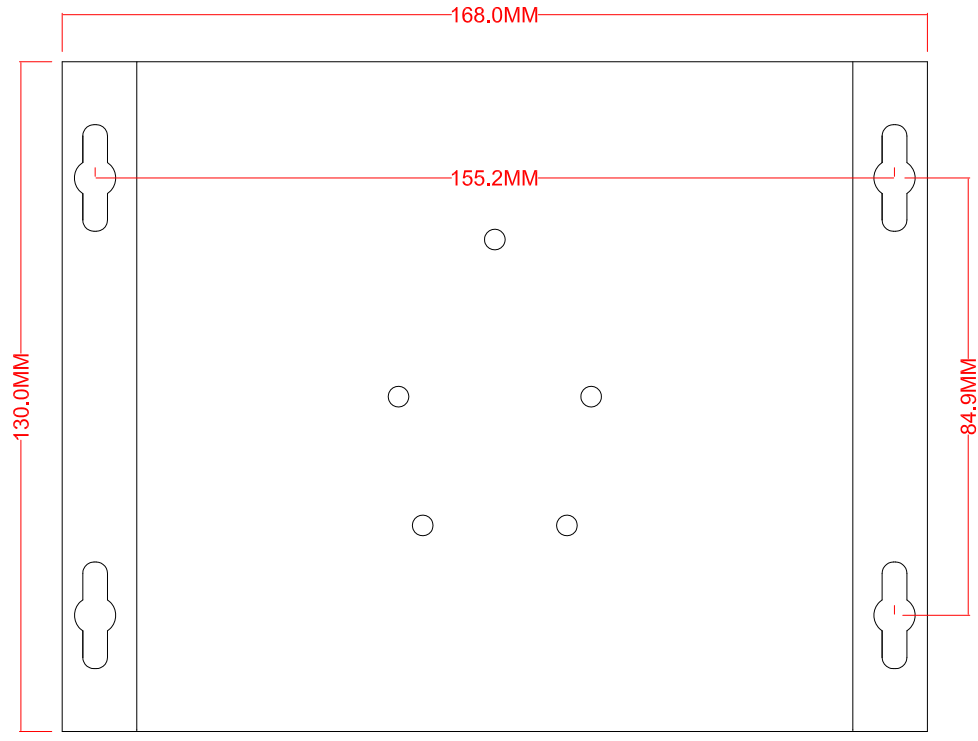
Date	Rev	Sheet	01
Nov 25, 2021	01	Next Sheet	02

1 2 3 4 5 6 7 8 9 10 11 12 13 14 15

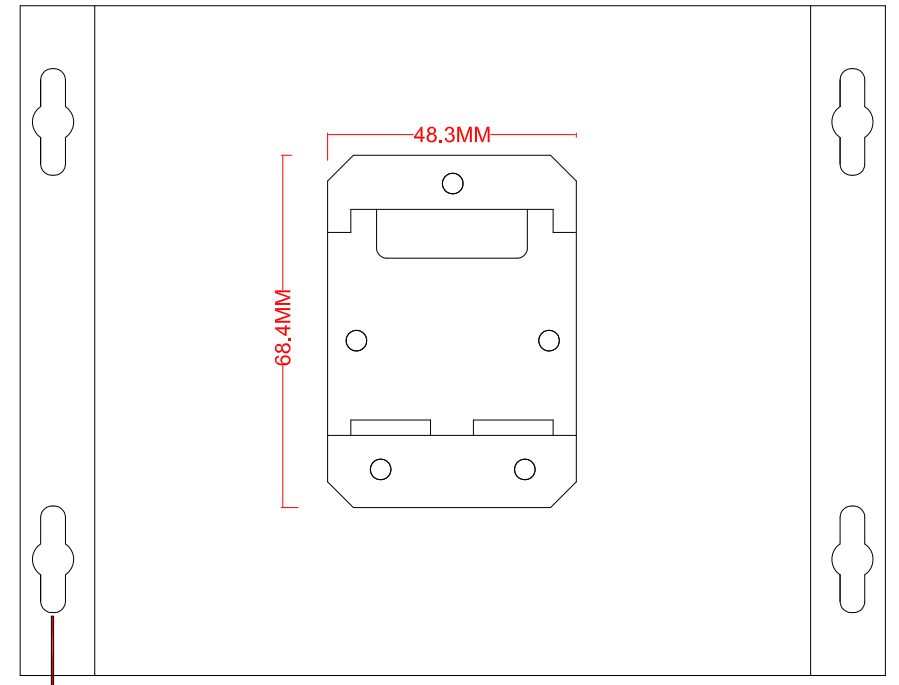
A APPR. B CHECK C DATE D REVISION E F G H I NAME J DATE K REVISION

# Mechanical Drawing of VCL-3030,101 to 104 Protocol Converter

VCL-3030 Bottom View	
Mechanical Dimensions	
Width	168.0 MM
Height	130.0 MM



**Bottom View**



**Bottom View with DIN Rail**

The Drawing and any information or descriptive matter set out hereon are the confidential property of Valiant Communications and must not be disclosed, loaned, copied, used for manufacturing, tending or any other purpose without their written permission.

**Title:** Mechanical Drawing of VCL-3030,101 to 104 Protocol Converter



**Valiant**  
Communications

**Drawing No:**  
EMD-3030/CONV/01

Date	Rev	Sheet	02
Nov 25, 2021	01	Next Sheet	END