

1
2
3
4
5
6
7
8
9
10
11
12
13
14
15

A
B
C
D
E
F
G
H
I
J
K

APPR.
CHECK
DATE
REVISION

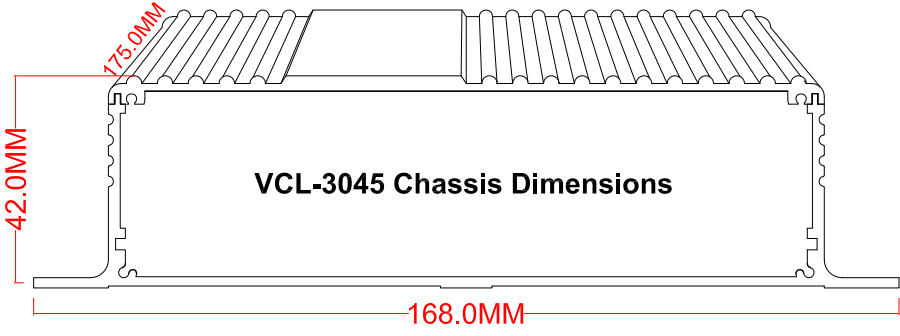
NAME
DATE
REVISION

CHECK
CHECK

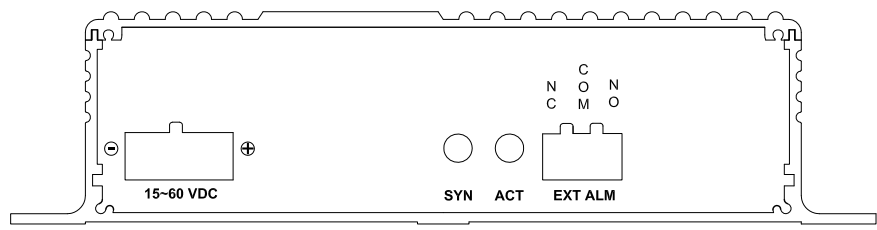
The Drawing and any information or descriptive matter set out hereon are the confidential property of Valiant Communications and must not be disclosed, loaned, copied, used for manufacturing, tending or any other purpose without their written permission

Mechanical Drawing of VCL-3045 NTP to IRIG-B (BNC) Converter

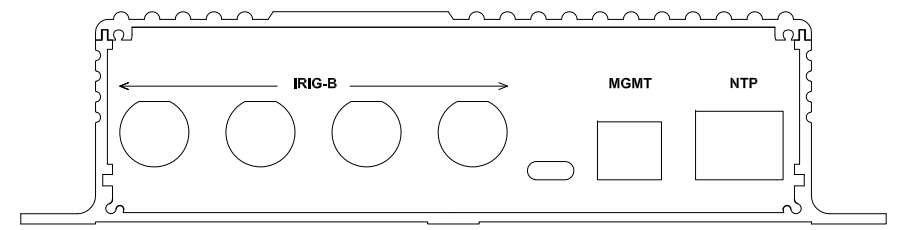
VCL-3045	
Mechanical Dimensions	
Width	168.0 MM
Height	42.0 MM
Depth	175.0 MM
Weight	0.7 Kg



Front View



Rear View



Title: Mechanical Drawing of VCL-3045 NTP to IRIG-B (BNC) Converter

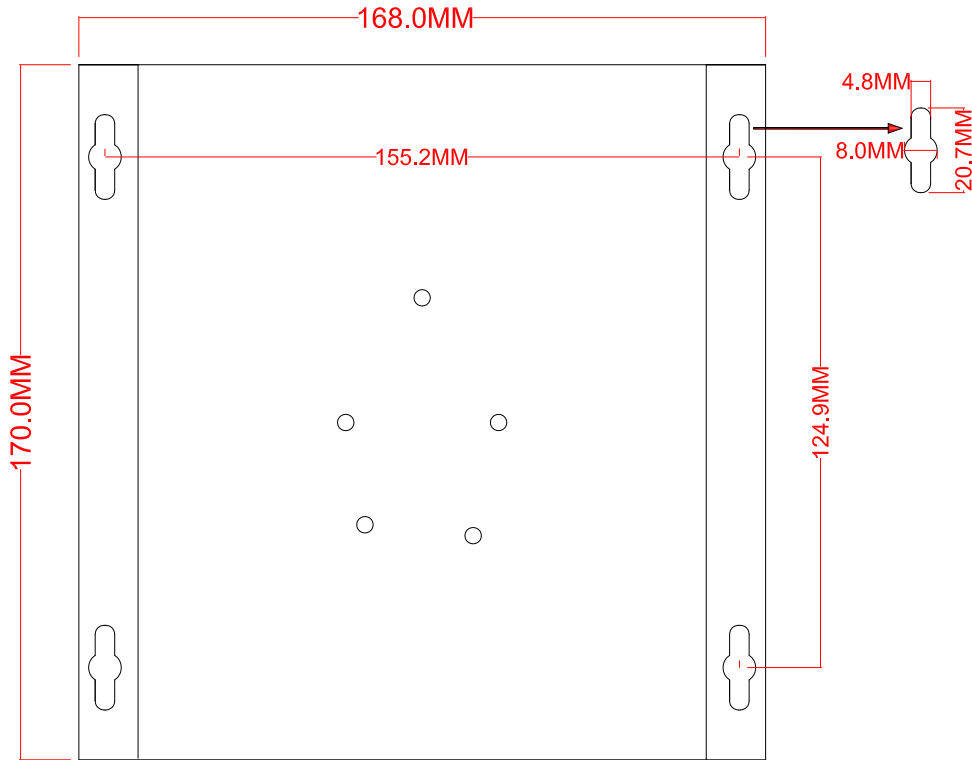


Drawing No:
EMD-3045/BNC/002

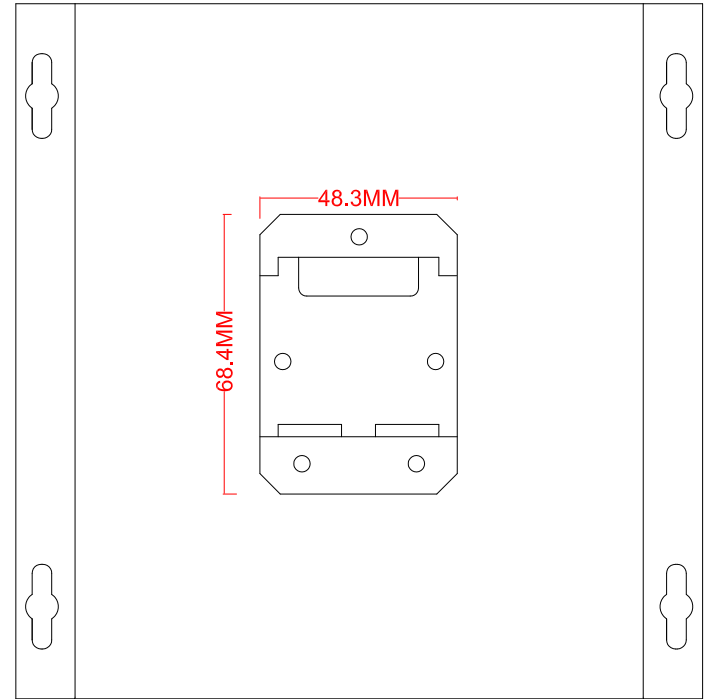
Date	Rev	Sheet	01
Nov 09, 2021	02	Next Sheet	02

VCL-3045 NTP to IRIG-B (BNC) Converter (Bottom View)

VCL-3045 Bottom View	
Mechanical Dimensions	
Width	168.0 MM
Height	170.0 MM



Bottom View



Bottom View with DIN Rail

Title: Mechanical Drawing of VCL-3045 NTP to IRIG-B (BNC) Converter



Valiant
Communications

Drawing No:
EMD-3045/BNC/002

Date	Rev	Sheet	02
Nov 02, 2021	01	Next Sheet	END